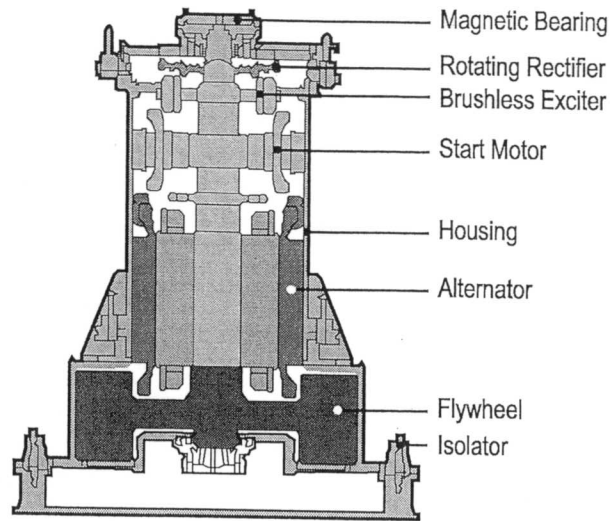


(c)



FLYWHEEL CONFIGURATIONS

DESCRIPTION	GEOMETRY	SHAPE FACTOR $K$
Flat unpierced disc		0.606
Flat pierced disk		0.303
Constant stress disc (typical)		0.931
Rim with web		0.400
Truncated conical disc		0.806
Thin rim		0.500
Bar		0.333
Shaped bar		0.500

Figure 16.6c. Schematic illustrations of several energy storage technologies: *Flywheels*. Adapted from Simpson, et al. (1975).